



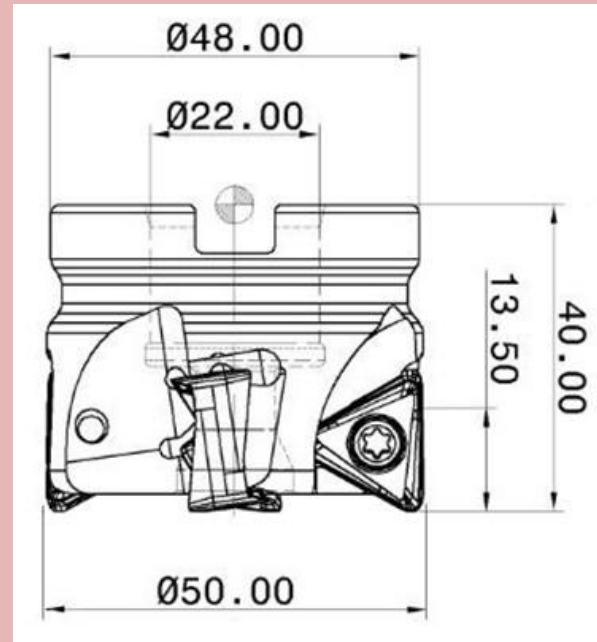
Larbi Ben M'hidi University
Oum El-Bouaghi (Algeria)

Journal of New Technology and Materials

J. New Technol. Mater.

EISSN : 2588-2082

ISSN : 2170-161X



Specification of cutting tool holder (ISCAR H690 F90AX-16)

Volume: 13

Issue: 01

Year: 2023

Address: University of Oum El-Bouaghi, 04000 Algeria
Fax: 00213(0)32563565, Email: jntm@univ-oeb.dz & jntm11@yahoo.fr
Website: <http://sites.google.com/sites/jntmjournals>

Table of contents

Titles	pages
Predictive ab-initio study of optoelectronic and magnetic properties of BaDyO₃ new perovskite A. Labdelli	09
Two mathematical models for solving the photovoltaic cell's nonlinear formula Mohammed Rasheed, Ahmed Shawki Jaber, Mohammed Abdelhadi Sarhan, Tarek Saidani and Mustafa Nuhad Aldaraj	17
Effect of waste marble powder on the properties of white mortar made from tuff H. Sellaf and B. Balegh	25
Effect of cutting parameters on tool life and cutting temperature in milling of AISI 1038 carbon steel Mohsen Soori and Behrooz Arezoo	33
Evaluation of residual stress on epoxy based coating using X-ray and FEM-ANN methods I Haider Hadi Jasim	49
Predicting and analyzing of tribo-performance of NAO friction composites using Taguchi method Yusubov Fikrat	57
Investigation of the rheological structural parameters of a network of NBR-based vulcanizates with the participation of chlorine-containing Sh. M. Mammadov, G. H. Azizova, R. F. Khankishiyeva, F. A. Amirov, G. A. Mammadova, I. G. Movlayev, and J. S. Mammadov	70
Polyaniline films as colorimetric food freshness indicator Rey Ralph H. Virtucio and Joel G. Fernando	75

Journal of New Technology and Materials “JNTM”

EISSN : 2588-2082

Print ISSN : 2170-161X

Chairman: Pr. Zohir Dibi (University President)

Director of publication: Pr. Abdelkader Nouiri

Editor-in-chief: Pr. Abdelkader Nouiri

Editorial Board

Pr. Abdelkader Nouiri	- Univ. Oum El-Bouaghi, Algeria -	Material sciences and nanotechnology
Pr. Mourad Zaabat	- Univ. Oum El-Bouaghi, Algeria -	Material sciences
Pr. Fayçal Goumeidane	- Univ. Oum El-Bouaghi, Algeria -	Material sciences
Pr. Lazhar Hadjeris	- Univ. Oum El-Bouaghi, Algeria -	Applied Physics
Pr. Yousef Yaser Ahmed	- Yarmouk University, Irbid, Jordan -	Chemistry

Secretary: Dr. Bachir Bordji

University of Oum El-Bouaghi (Algeria)

English Proofreading & Editing:
Dr. Imene Medfouni and Dr. Youcef Barahmeh

University of Portsmouth (UK)

Edition: University of
Oum El-Bouaghi,
Algeria
Address: Oum El-
Bouaghi, 04000 Algeria

Impression: SARL
DAR EL-HOUDA
Address: B.P. 193,
Ain Mlila 04300
Algeria

<http://sites.google.com/site/jntmjournal>
Email1: jntm11@yahoo.fr
Email2 : jntm@univ-oeb.dz
Phone/Fax: +213(0)32563565

Local Advisory Editors:

Pr. Abdelkader Nouiri (Univ. OEB, Algeria)
Pr. Bouguerra Bouzabata (Univ. Annaba, Algeria)
Pr. Abderrahmane Kadri (Univ. Oran, Algeria)
Pr. Madjid Diaf (Univ. Annaba, Algeria)
Pr. Mokhtar Ghers (Univ. Annaba, Algeria)
Pr. Cherifa Azizi (Univ. OEB, Algeria)
Pr. Salah Sahli (Univ. Constantine 1, Algeria)
Pr. Abdelhakim Mahdjoub (Univ. OEB, Algeria)
Pr. Ahcene Bouchemma (Univ. OEB, Algeria)
Pr. Miloud Guemini (Univ. OEB, Algeria)
Pr. Abdelkader Khiari (Univ. OEB, Algeria)
Pr. Mohamed Mourad Snoussi (Univ. OEB, Algeria)
Pr. Abdelouahab Zaatri (Univ. Constantine 1, Algeria)
Pr. Boubekour Boudine (Univ. Constantine 1, Algeria)
Pr. Salah Akkal (Univ. Constantine, Algeria)
Pr. Abdelkarim Beniaiche (Univ. Setif, Algeria)
Pr. Toufik Soltani (Univ. Biskra, Algeria)
Dr. Djoudi Bouhafis (U.D.T.S., Algiers, Algeria)
Pr. Fadila Berrah (Univ. OEB, Algeria)
Dr. Djelloul Louhibi (CDTA, Algiers, Algeria)
Dr. Menaouar Saheb (Univ. OEB, Algeria)
Pr. Djemoui Merzoug (Univ. OEB, Algeria)
Pr. Mahfoud Djeddar (Univ. Constantine 1, Algeria)
Pr. Omar Khalfallah (Univ. Constantine 1, Algeria)
Pr. Abdellatif Zerga (Univ. Tlemcen, Algeria)
Pr. Nouredine Benali Cherif (Univ. Khenchela, Algeria)
Pr. Sofiane Bouacida (Univ. OEB, Algeria)
Pr. Abba Chaker (Univ. Constantine 1, Algeria)
Pr. Mostefa Benhaliliba (USTO, Oran, Algeria)
Pr. Rabah Arhab (Univ. OEB, Algeria)

Dr. (HDR) Nacer Hebbir (Univ. OEB, Algeria)
Pr. Yasmima Saidi (Univ. Constantine 1, Algeria)
Dr. (HDR) Saadeddine Khemissi (Univ. Khenchela, Algeria)
Dr. (HDR) Ahmed Rahmani (Univ. OEB, Algeria)
Pr. Yassine Sayad (Univ. Souk Ahras, Algeria)
Pr. Mohamed Salmi (Univ. Msila, Algeria)
Pr. Hakim Baaziz (Univ. Msila, Algeria)
Pr. Zouleikha Charifi (Univ. Msila, Algeria)
Pr. Chaouki Mahfoudi (Univ. OEB, Algeria)
Pr. Nadir Attaf (Univ. Constantine 1, Algeria)
Pr. Abdelkader Djelloul (Univ. Khenchela, Algeria)
Pr. Bouzid Guedioura (RDNR Center, Draria, Algiers, Algeria)
Pr. Omar Bouras (Univ. Blida, Algeria)
Pr. Mohamed Guerioume (Univ. Annaba, Algeria)
Pr. Abdelaziz Kadri (Univ. Tizi Ouzou, Algeria)
Pr. Zeroual Aouachria (Univ. Batna 1, Algeria)
Pr. Brahim Kebabi (Univ. Constantine 1, Algeria)
Pr. Amor Azizi (Univ. Setif 1, Algeria)
Pr. Nasser Chelouah (Univ. Bijaia, Algeria)
Pr. Abdelbaki Djouanbi (Univ. OEB, Algeria)
Pr. Abderahmane Bouabellou (Univ. Constantine 1, Algeria)
Pr. Mohamed Kribaa (Univ. OEB, Algeria)
Dr. (HDR). Abdellah Ouedjaoui (Univ. OEB, Algeria)
Pr. Abba Mecif (Univ. OEB, Algeria)
Pr. Nadir Bouarissa (Univ. Constantine, Algeria)
Pr. Hacene Alyat (Univ. El-Taref, Algeria)
Pr. Abdellatif Messaoudi (Univ. Batna, Algeria)
Pr. Zahir Rouabah (Univ. Bordj Bouariridj, Algeria)
Pr. Lakhdar Bouabsa (Univ. Annaba, Algeria)

International Advisory Editors:

Pr. Claude J. A. Monty (CNRS - labo. PROMES, France)

Pr. Nouar Tabet (Qatar Environment and Energy Research Institute (QEERI))

Pr. Henri Baudrand (Univ. Toulouse, France)

Pr. Abdelmajid Belalhal (Univ. Chouaib Doukkali, Morocco)

Pr. Dennoune Saifaoui (Univ. Hassan II, Casablanca, Morocco)

Pr. Yaser Ahmed Yousef (Univ. Irbid, Jordan)

Pr. Fawaz Siouf (High Institute of Laser, Damascus, Syria)

Pr. Akeel Aziz Dakhel (Coll. of Science, Univ. of Bahrain)

Pr. Essebti Dahiri (Univ. Sfax, Tunisia)

Pr. Costas Fotakis (FORTH, Greece)

Pr. Ahmed Ennaoui (QEERI, Hamad bin Khalifa University, Doha, Qatar)

Pr. Munir H. Nayfeh (Univ. Illinois, USA)

Dr. Nouari Saheb (Univ. Dhahran, Saudi Arabia)

Dr. Kyoungwon Kyle Min (Univ. Florida, USA)

Dr. Ramu Kannappan (Univ. Oklahoma, USA)

Dr. Brahim Aissa (INRS, Canada)

Dr. Rahul M. Mane (Shivaji University, Kolhapur, India)

Dr. Irshad Ahmad (American University of Ras Al Khaimah, UAE)

Dr. (HDR) Yaovi Gagou (Univ. Picardie, Amiens, France)

Dr. hamid Reza Ghazvinloo (Payame Noor University of Semnan Branch, Iran)

Pr. Mourad Ramdane (University of Grenoble, France)

Pr. Mohamed Salah Aida (Taibah University, Kingdom of ArabiaSaudi)

Pr. K. P. Vijayakumar (Cochin Univ. of Science & Tech. India)

Pr. Y. S. Ocak (Dicle Univ. Diyarbakir, Turkey)

Pr. Talas Zeliha Selamoglu (Nigde Omer Halisdemir Univ. , Turkey)

Pr. Mahamed Mahmoud Mohamed Amin (NRC, Giza, Egypt)

Pr. El Mostafa Mili (Univ. Meknes, Morocco)

Pr. Abdelaziz Abdallaoui (Univ. Meknes, Morocco)

Guidelines for Authors

"*Journal of New technology and Materials*" (*JNTM*) is an international peer-reviewed journal that publishes high quality original works on the Material sciences (physics, chemistry and life sciences) and engineering. It covers the aspect of materials science and engineering in all forms, particularly materials associated with new technologies (nanoscience and nanotechnology). The journal has an editorial board and international advisory editors, covering the majority areas of materials and engineering research. Coverage is broad and includes the design and synthesis of materials, their characterization, processing, modelling, properties and applications in the fields of theoretical physics, applied physics, metallurgy, chemistry, theoretical chemistry, nuclear physics, ceramics, semiconductors, electronic devices, spintronics, spectroscopy and life sciences. Papers covering interdisciplinary research and papers from related disciplines are encouraged, in particular those addressing emerging and quickly developing fields.

To establish the suitability of the articles for *JNTM* they must highlight the novel properties or applications (or potential properties/applications) of the materials studied. Papers that report primarily structural studies will be considered for publication only where the materials have interesting properties or are of potential interest for the materials and technology communities.

- **New Authors:** If you are submitting for the first time, you will first be required to send some information (name, title, fax, phone, ...).
- Manuscripts are to be prepared according to the instructions provided (see below). They should preferably be prepared using MS Word file. Authors are expected to check their proofs before publication.
- Once a paper is accepted, authors are assumed to cede copyrights of the paper over to *OEB Univ. Publish. Co.*
- All papers will be acknowledged and refereed. They will not be returned.
- Submission of a manuscript indicates a tacit understanding that the paper is not under consideration for publication with other journals.
- There is no page charge for the journal.
- All authors for the regular issues will be provided with a free pdf file of the final paper. As for the special issues, only the lead authors or the corresponding authors will be provided with a free pdf.

Authors should note that the following practices are likely grounds for rejection of a manuscript, or acceptance only after substantial revision.

1. Papers must be written in English.
2. Papers must be written in MS-Word format and sent by email as an attached file to jntm11@yahoo.fr, or jntm@univ-oeb.dz or online via the web site.
3. **Title.** A paper should have a short, straightforward title directed at the general reader. Lengthy systematic names and complicated and numerous chemical formulae should therefore be avoided where possible. The use of non-standard abbreviations and symbols in a title is not encouraged. The title should be in Baskerville Old Face (18 pts).
4. **Authors name should be in** Baskerville Old Face (12pts).
5. **Affiliations should be in** Baskerville Old Face (10pts) italic.
6. **Abstract.** Every paper must be accompanied by an abstract (70–200 words) setting out briefly and clearly the main results of the work; it should give the reader a clear idea of what has been achieved. The text of abstract should be in Baskerville Old Face (10pts) italic and it must be followed by three or five keywords.
7. **Introduction.** This should give clearly and briefly, with relevant references, both the nature of the problem under investigation and its background. The text of introduction should be in Baskerville Old Face (10pts).
8. **Main text.** Only strictly relevant results should be presented and figures, tables, and equations should be used for purposes of clarity and brevity. The use of flow diagrams and reaction schemes is encouraged. Data must not be reproduced in more than one form, *e.g.* in both figures and tables, without good reason. The text should be in Baskerville Old Face (10pts).
9. **Conclusion.** This is for interpretation and to highlight the novelty and significance of the work. The conclusions should *not* summarize information already present in the text or abstract. The text of the conclusion should be in Baskerville Old Face (10pts).
10. **References.** The reference numbers should be cited between brackets [...] in the correct sequence through the text (including those in tables and figure captions, numbered according to where the table or figure is designated to appear). The references themselves are given at the end of the final printed text along with any Notes.
 - **Journals.** For example: A. Nouri, R. Aouati, *Physica E* 40 (2008) 1751-1753
 - **Books.** For example: A. Nouri, S. Chaguetmi, A. Djemel, and R-J. Tarento in *Science, Technology and Education of Microscopy : an Overview*, Ed. A. Mendez-Vilas, FORMATEX, Madrid (Spain), 99(2003)
 - **Material presented at meetings.** For example: A. Nouri, *Proceedings of the Third Symposium on Scientific Research and Technological Development Outlook in the Arab Word (SROIII)*, April 11-14, 2004 Riyadh, Kingdom of Saudi Arabia
 - **Theses.** For example: A. Nouri, *Doctorate Thesis, 2000, University of Constantine (Algeria)*
11. Color figures are not accepted (for the time being)
12. Authors must split the contents of a text field (Introduction, main text, conclusion and references) into two columns.

Detailed instructions for preparation of manuscripts are available in:

<http://sites.google.com/site/jntmjournals/paper-submission>

Abbreviation: J. New Technol. Mater.

Indexing

Journal of New Technology and Materials (JNTM) is indexed in:

- Emerging Sources Citation Index
 - Chemical Abstracts Service (CAS)
 - The Directory of Open Access Journals (DOAJ)
 - Google Scholar, Al Manhal Database, And others
-



Algerian Platform:

Journal of New Technology and Materials

JNTM

EISSN: 2588-2082
Periodicity: Semestrial
Acceptance rate: 62%
Average response time: 114 Days
Mean time to publish after acceptance: 51 Days
Start year: 2011
Country: Algeria
Institution: Université Larbi Ben Mhidi de Oum El Bouaghi
ASJP Impact factor: 0.0175



The image shows a promotional graphic for the Journal of New Technology and Materials (JNTM). It includes the journal title in blue, the acronym JNTM in italics, and a list of key metrics: EISSN (2588-2082), semestrial periodicity, 62% acceptance rate, 114-day average response time, 51-day mean time to publish after acceptance, start year 2011, location in Algeria, and affiliation with Université Larbi Ben Mhidi de Oum El Bouaghi. The ASJP (Algerian Scientific Journal Platform) logo is also present, along with a small thumbnail of the journal's cover.

Google Scholar Metrics

H index: **11** (until June 24, 2023)

Citations: **566** (until June 24, 2023)

Publication Ethics and Malpractice Statement

Publication and authorship :

1. All manuscripts will be evaluated basing on content without regard to ethnic origin, gender, sexual orientation, citizenship, religious belief or political philosophy of the authors
2. All submitted papers are subject to double peer-review process by at least one international and one local reviewer and that are experts in the area of the particular paper.
3. The factors that are taken into account in review are significance, originality, readability and language.
4. The possible decisions include acceptance, acceptance with major/minor revisions, or rejection.
5. If authors are encouraged to resubmit a paper after major revisions, there is no guarantee that the revised submission will be accepted.
6. Rejected articles will not be re-reviewed, but it can be resubmitted in other format.
7. The paper acceptance is constrained by such legal requirements as shall then be in force regarding libel, copyright infringement and plagiarism.

Duties of Authors :

1. Authors must certify that the manuscript has not previously been published elsewhere.
2. Authors must certify that the manuscript is not currently being considered for publication elsewhere
3. Authors must certify that their manuscripts are their original work.
4. Authors are obliged to provide retractions or corrections of mistakes.
5. All Authors mentioned in the paper must be informed about the submission of paper.
6. Authors must state that all data in the paper are real and authentic.
7. Authors must notify the Editor-in-chief of any conflicts of interest.
8. Authors must identify all sources used in the creation of their manuscript.
9. Authors must report any errors they discover in their published paper to the Editor-in-chief.
10. Author and co-authors should sign the copyright transfer agreement after the acceptance of paper.
11. Authors should read and agree the Publication Ethics and Malpractice Statement and guidelines for authors before the submission of paper

Duties of Reviewers :

1. Reviewers should keep all information regarding papers confidential and treat them as privileged information.
2. Reviews should be conducted objectively, with no personal criticism of the author
3. Reviewers should express their views clearly with supporting arguments
4. Reviewers also check the manuscript for plagiarism, research fabrication, falsification and improper use of humans or animals in research
5. Reviewers should also call to the Editor-in-chief attention any substantial similarity or overlap between the manuscript under consideration and any other published paper of which they have personal knowledge.
6. Reviewers should not review manuscripts in which they have conflicts of interest resulting from competitive, collaborative, or other relationships or connections with any of the authors, companies, or institutions connected to the papers.

Duties of Editor :

1. JNTM Editor has complete responsibility and authority to reject/accept an article.
2. JNTM Editor is responsible for the contents and overall quality of the publication.
3. JNTM Editor should always consider the needs of the authors and the readers when attempting to improve the publication.
4. JNTM Editor should guarantee the quality of the papers and the integrity of the academic record.
5. JNTM Editor should publish errata pages or make corrections when needed.
6. JNTM Editor should base their decisions solely one the papers' importance, originality, clarity and relevance to publication's scope.
7. JNTM Editor should not reverse their decisions nor overturn the ones of previous editors without serious reason.
8. JNTM Editor should preserve the anonymity of reviewers.
9. JNTM Editor should ensure that all research material they publish conforms to internationally accepted ethical guidelines.
10. JNTM Editor should act if they suspect misconduct, whether a paper is published or unpublished, and make all reasonable attempts to persist in obtaining a resolution to the problem.
11. JNTM Editor should not reject papers based on suspicions, they should have proof of misconduct.
12. JNTM Editor should not allow any conflicts of interest between staff, authors, reviewers and board members.
13. JNTM Editor verify the plagiarism
14. In the case of plagiarism, JNTM Editor can forbid all future publications from the same authors